



## PRODUCT SPECIFICATION REPORTER 112

- Cellular/GPS Automatic Vehicle Location Device
- Small Form Factor for In-Vehicle Mounting
- USB and Serial Interfaces
- Supports Wireless Matrix TechConnect Navigation

The Wireless Matrix Reporter 112 is a small, easy-to-install device designed to track mobile assets. It provides real-time GPS location via the CDMA 1xRTT cellular network and is fully integrated with Wireless Matrix's FleetOutlook® solution for Mobile Resource Management. The Reporter 112 integrates a 1xRTT transceiver and a sensitive GPS receiver for tracking even in difficult conditions. The unit is small enough to be mounted on the windshield inside a vehicle or out-of-sight under the dashboard. The Reporter 112 is compatible with Wireless Matrix's TechConnect® solution for messaging and job dispatch (requires Personal Navigation Device (PND) or deCarta laptop navigation application.), and has a USB Device Port for interface with USB-equipped devices.

### OPTIONS

#### Network Features

- Cell/PCS: 1xRTT
- GPS Receiver
  - 50 channels
  - Sensitivity: -160 dBm
  - Accuracy: <2.5m (CEP)
- Frequency
  - Cell/PCS: 850/1900 MHz
  - GPS: 1575.42 MHz

#### Interface options

- 1 digital input (active low)
- 1 analog/digital input (active high)
- 1 USB port (NMEA and/or test port)
- 1 three-wire RS232 serial port (NMEA/PND use)

#### Certifications

- Verizon Wireless
- Other networks pending

Contact Wireless Matrix for a complete list of approved carriers

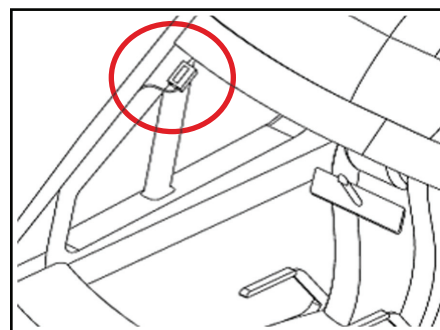
### MODEM

#### Physical Characteristics

- Overall dimensions: 3.825" x 2.35" x 0.7"
- Weight: 3 oz.
- Temperature range: -30°C to +60°C
- Non-hermetic enclosure for in-vehicle use
- Integrated Cell/PCS and GPS antennas
- 196k AVL message buffer for operation out of cellular coverage

#### Power

- Power: 9 - 36 VDC (13.6 V nominal)
- Typical Current consumption:
  - Peak 600 mA
  - 300 mA average while transmitting
  - 70 mA average while receiving
  - <5mA power down



Windshield placement of the installed Reporter 112



**CONTACT INFORMATION**  
13645 Dulles Technology Drive  
#100  
Herndon, VA 20171

**WEB ADDRESS**  
[www.wirelessmatrix.com](http://www.wirelessmatrix.com)

**T 1.888.843.8554**  
**F 703.262.0380**

**EMAIL ADDRESS**  
[sales@wirelessmatrix.com](mailto:sales@wirelessmatrix.com)

For more information about this product or any of our products and services, please contact Wireless Matrix.

MBUD-0168v1